

RET Flood Light

Specification Summary

The **RFL Flood Light Series** delivers uniform and powerful illumination for less than a 1/3 of the power consumption of traditional lighting. This series is suited for replacing the pre-existing footprint of their traditional counterparts and provide a sleeker look and feel. They can replace up to 1000W of traditional lighting power.

The rugged die cast aluminum housing design matches the originally intended design of its traditional counterpart and is made for commercial and industrial usage. An optional photocell allows for additional automatic energy savings.

Applications include site, area, parking lot, internal roadways and general exterior lighting applications.

Electrical

The robust internal driver accepts 120-277VAC and ensures that there is no variation in light output regardless of input voltage variations. The 3-wire cord can be connected through the back along with 0-10V dimming. Additional surge protection can be added.

Optics

The fixture is covered with a UV protectant lens that distributes in an even and uniform fashion that meets ANSI lighting distribution types.

Finish

The fixture is cleaned and then taken through a pretreatment and chemical coating process. A durable polyester powder coating is then electrostatically applied to at least 2mm. The process ensures protection from impact, UV and other harmful particulates.

RFL



Warranty

A 5 Year Limited Luminaire Warranty is issued to the original purchaser that the luminaires shall be free from defects in material and workmanship for up to five years from date of shipment. This limited warranty covers the fixture, LED Driver and LEDs when installed and operated according to the manufacturer's instructions. See RET's Warranty and Full Terms and Conditions.

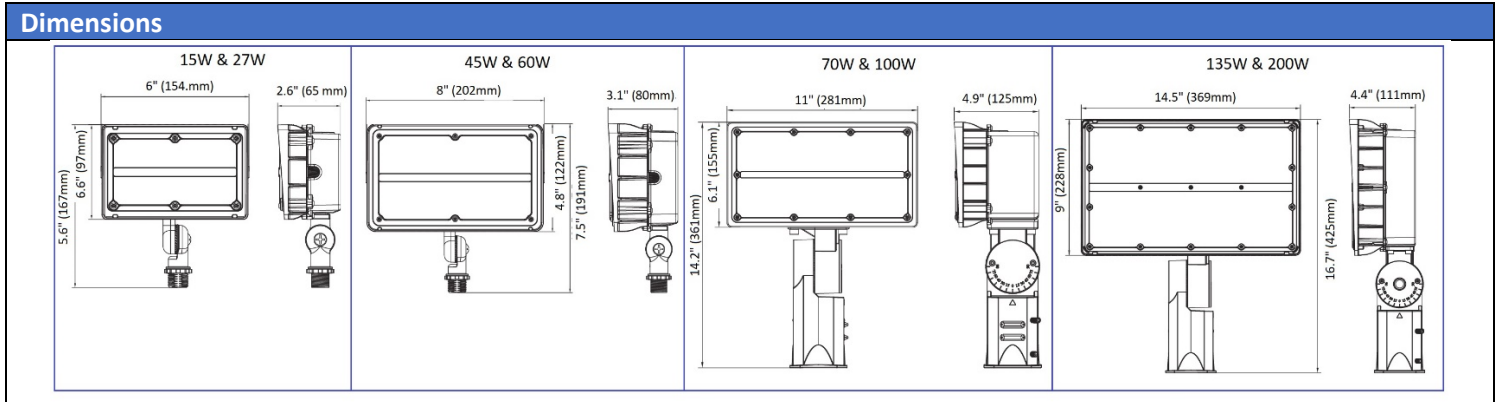
Listings and Ratings

The fixture is ETL approved and listed with the DLC.

Mounting

The fixtures design enables quick and easy installation where it can be positioned and wired conveniently. Optional mounting arms are available.

Model	Wattage	Color Temp	Sensor Options	Options	Accessories
RFL6	15 – 15W	50 – 5000K	PS – Photo Sensor	W – Wide Flood	AT – Adjustable Trunnion KM – Knuckle Mount YK – Yoke ASF – Adjustable Slip Fitter
RFL8	27 – 27W				
RFL11	45 – 45W				
RFL15	60 – 60W				
	70 – 70W				
	100 – 100W				
	135 – 135W				
	200 – 200W				



Model	Input Power	Lumen Output	Efficacy	Color Temp	CRI	Safety	DLC
RFL6	15W	2,000 lumens	130 lm/W	5000K	70	ETL Listed	Premium
RFL6	27W	3,600 lumens	130 lm/W	5000K	70	ETL Listed	Premium
RFL8	45W	6,000 lumens	130 lm/W	5000K	70	ETL Listed	Premium
RFL8	60W	8,000 lumens	130 lm/W	5000K	70	ETL Listed	Premium
RFL11	70W	9,300 lumens	130 lm/W	5000K	70	ETL Listed	Premium
RFL11	100W	13,300 lumens	130 lm/W	5000K	70	ETL Listed	Premium
RFL15	135W	17,600 lumens	130 lm/W	5000K	70	ETL Listed	Premium
RFL15	200W	26,000 lumens	130 lm/W	5000K	70	ETL Listed	Premium

Performance Summary	
Input Voltage	120-277VAC
Power Factor	> 0.9
THD	< 20%
Average Efficacy	130 lm/W
CRI	>70
Color Temp	5000K
Controls	Photo
Operating Temp.	-20C to 40C
Ingress Protection	Wet Location
Lifetime	>50,000hrs
Warranty	5 Years
Performance Standard	DLC Premium
Safety Standard	ETL Listed

