

Specification Summary

The **WRP12 Wall Pack Series** delivers uniform and powerful illumination for less than a 1/3 of the power consumption of traditional lighting. This series is suited for replacing the pre-existing footprint of their traditional counterparts and provide the same look and feel. They can replace up to 250W of traditional lighting power.

The rugged die cast aluminum housing design matches the originally intended design of its traditional counterpart and is made for commercial and industrial usage. An optional button photocell allows for additional automatic energy savings for dusk to dawn operation.

Applications include exteriors surfaces, building entrances, parking decks, perimeter lighting and security lighting.

Electrical

The robust internal driver accepts 120-277VAC and ensures that there is no variation in light output regardless of input voltage variations. The 3-wire cord can be connected through the back along with 0-10V dimming. Additional surge protection can be added.

Optics

The fixture is covered with a UV protectant tempered glass lens and set with internal reflectors that ensure maximum efficiency.

Finish

The fixture is cleaned and then taken through a pretreatment and chemical coating process. A durable polyester powder coating is then electrostatically applied to at least 2mm. The process ensures protection from impact, UV and other harmful particulates.

WRP12



Warranty

A 5 Year Limited Luminaire Warranty is issued to the original purchaser that the luminaires shall be free from defects in material and workmanship for up to five years from date of shipment. This limited warranty covers the fixture, LED Driver and LEDs when installed and operated according to the manufacturer's instructions. See RET's Warranty and Full Terms and Conditions.

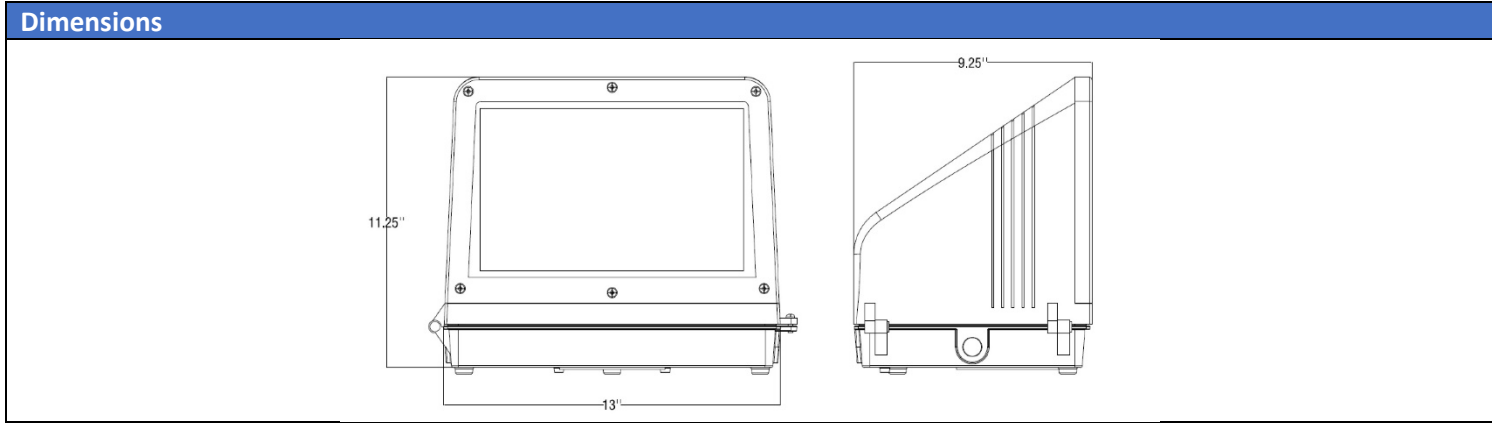
Listings and Ratings

The fixture is ETL approved and listed with the DLC.

Mounting

The fixtures design enables quick and easy installation where it can be positioned and wired conveniently.

Model	Wattage	Color Temp	Sensor Options	Options	Accessories
RWP12	45 – 45W 75 – 75W	50 – 5000K	PS – Photo Sensor MS – Motion Sensor	X – No Option	SP10 – Surge Protector 10KA SP20 – Surge Protector 20KA



Model	Input Power	Lumen Output	Efficacy	Color Temp	CRI	Safety	DLC
RWP12-45-50	45W	4,500 lumens	100 lm/w	5000K	70	ETL Listed	Listed
RWP12-75-50	75W	7,500 lumens	100 lm/w	5000K	70	ETL Listed	Listed

Performance Summary	
Input Voltage	120-277VAC
Power Factor	> 0.9
THD	< 20%
Average Efficacy	100 lm/w
CRI	>70
Color Temp	5000K
Controls	Photo
Operating Temp.	-20C to 40C
Ingress Protection	Wet Location
Lifetime	>50,000hrs
Warranty	5 Years
Performance Standard	DLC listed
Safety Standard	ETL Listed

