

RET Stadium Sports Light

Specification Summary

The **RSSL Stadium Sports Light Series** is designed for exterior sports lighting and high-mast applications. It delivers uniform and powerful illumination for less than a 1/3 of the power consumption of traditional lighting. This series is suited for replacing the pre-existing footprint of their traditional counterparts and provide the same look and feel. They can replace up to 2000W of traditional lighting power.

Applications include site, area, stadium, sports arena, flood and high mast applications.

RSSL



Electrical

The robust internal driver accepts 120-277VAC and ensures that there is no variation in light output regardless of input voltage variations. The 3-wire cord can be connected through the back along with 0-10V dimming. Additional surge protection can be added. Comes in 277/480V version as well.

Optics

The fixture is covered with a UV protectant lens that distributes in an even and uniform fashion that comes in 15, 30 and 60 degree beam distributions.

Finish

A durable polyester powder coating is then electrostatically applied to at least 2mm. The process ensures protection from impact, UV and other harmful particulates. Rugged weather-tight design and 3G vibration rating ensures adequate durability that can handle the harshest environments.

Warranty

A 10 Year Limited Luminaire Warranty is issued to the original purchaser that the luminaries shall be free from defects in material and workmanship for up to 10 years from date of shipment. This limited warranty covers the fixture, LED Driver and LEDs when installed and operated according to the manufacturer's instructions. See RET's Warranty and Full Terms and Conditions.

Listings and Ratings

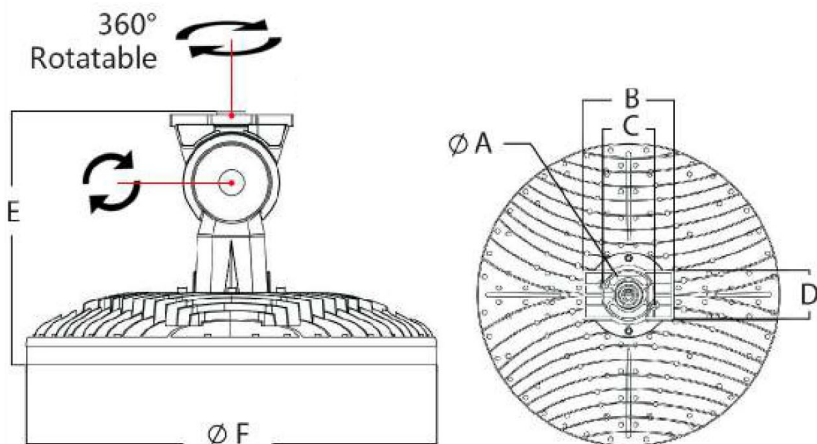
The fixture is UL approved and listed with the DLC.

Mounting

The fixtures design enables quick and easy installation where it can be positioned and wired conveniently. Optional mounting arms are available.

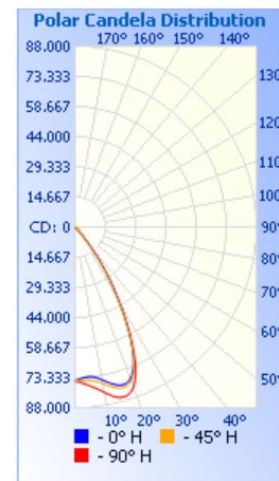
Model	Wattage	Color Temp	Sensor	Options	Accessories	Voltage
RSSL	315 – 315W 460 – 460W 580 – 580W 720 – 720W	47 – 4000K, 70CRI 48 – 4000K, 80CRI 57 – 5000K, 70CRI 58 – 5000K, 80CRI	DV - Dimming	15D – 15 Deg 30D – 30 Deg 60D – 60 Deg	A – Top Fixed B – Under Mount Yoke (w/ Driver C – Under Mount Yoke (Split) D – Yoke Mount	NV – 100-277V HV – 277/480V

RET Stadium Sports Light

Dimensions							
							
Model #	A	B	C	D	E	F	Weight
315W	2.9"	6.5"	3.6"	3.5"	13.4"	18.3"	30.8 lbs
460W 580W 720W	2.9"	6.5"	3.6"	3.5"	13.2"	21.6"	39.68 lbs

Model	Input Power	Lumen Output	Efficacy	Color Temp	CRI	Safety	DLC
RSSL-315-50	100-277	51,975lm	170lm	5000K	70	UL	Premium
RSSL-460-50	100-277	78,200lm	170lm	5000K	70	UL	Premium
RSSL-580-50	100-277	92,800lm	170lm	5000K	70	UL	Premium
RSSL-720-50	100-277	108,000lm	170lm	5000K	70	UL	Premium

Performance Summary	
Input Voltage	120-277VAC
Power Factor	> 0.9
THD	< 20%
Average Efficacy	170 lm/w
CRI	>70 & 80
Color Temp	5000K, 4000K
Controls	Photo & Motion
Operating Temp.	-20C to 40C
Ingress & Impact Rating	IP66 & IK10
Lifetime	>50,000hrs
Warranty	10 Years
Performance Standard	DLC Premium
Safety Standard	UL



RET Stadium Sports Light

Dimensions



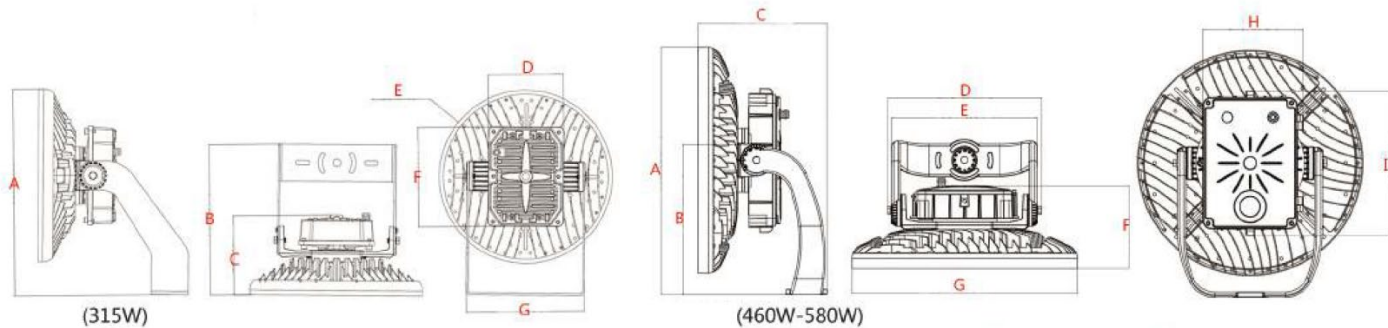
A-Mount
Top Fixed
Installation

B-Mount
Under Mount Yoke
(with driverbox)

C-Mount
Under Mount Yoke
(split mode)

D-Mount
Yoke Mount

Dimensions



B-Mount	A	B	C	D	E	F	G	H	I
315W	22"	16"	8.4"	8"	18.4"	10.5"	12.6"	n/a	n/a
460W 580W 720W	23.7"	14.4"	12.4"	14.7"	13.9"	8.0"	16"	9.6"	13.8"